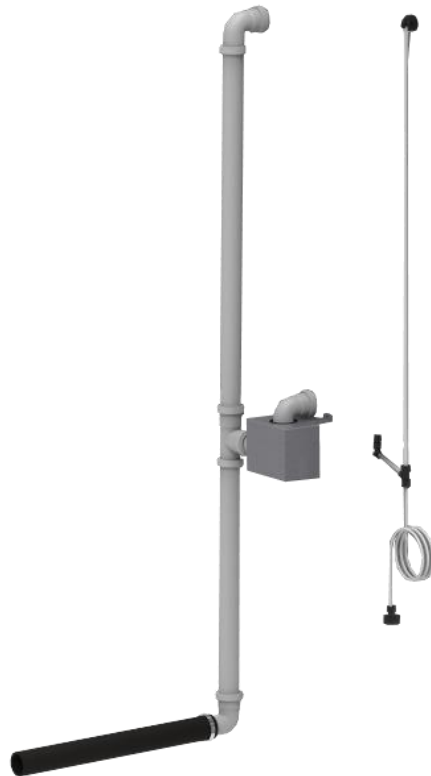




Instruction Manual and Installation

First Installation Kit for CK079 & CK110 Buffalo Smart Touchscreen Combi Ovens

(Compatible with single oven or extraction hood + condenser oven installation)

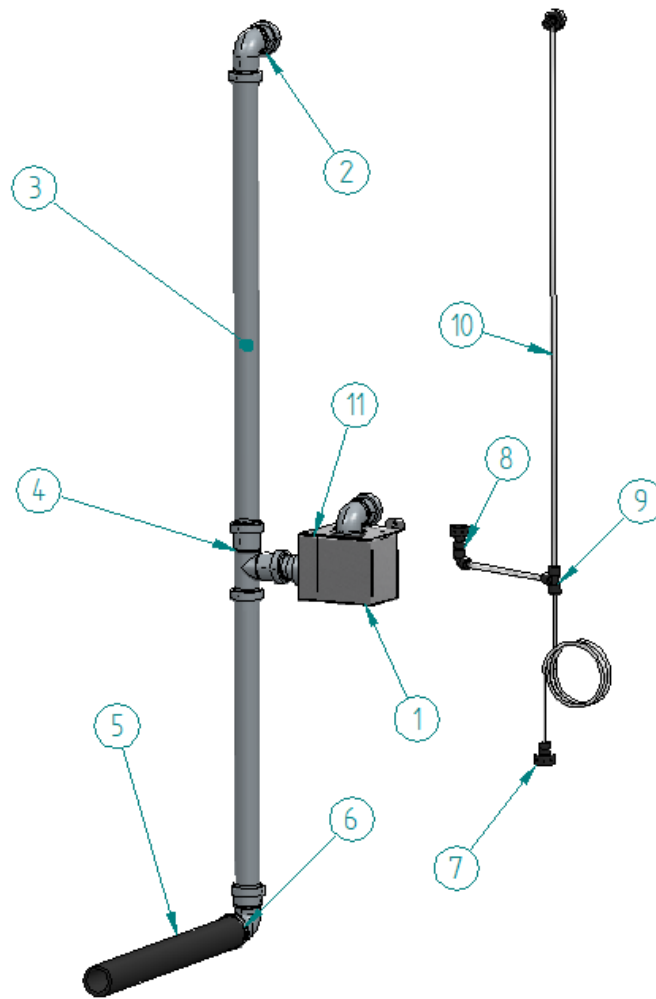


Caution: Read the instructions before using the appliance

CONTENTS

1. COMPONENTS	3
2. TYPES OF DRAIN BOX INSTALLATION	4
3. WATER INLET INSTALLATION	6
4. DETERGENT AND RINSE AID	7

1. Components



		Components Kit	
No.	Component ref.	Description	Quantity
1	G00898	Drain Siphon Box V23	1
2	511H80	PP HT 40-87° Elbow	3
3	511H78	ABN//EVAC HT PHONO 40x0,50m Tube	3
4	511H82	PP HT 40-87° Derivation	1
5	511H84	Cooler-ST Hoses DN40, 0,6 MPa Tube	0,75
6	750H12	40-60mm Adjustable Pipe Clamp	1
7	510H21	8mm x 3/4" Flat Tap Adapter	3
8	510H15	8 mm Constant Elbow	1
9	510H17	Constant TE 8 mm	1
10	511H02	Feeding pipe d. 8mm 5/16 "	3
11	441H20	Silicone Drain Box Joint 129x81x1.5 mm	1

2. Types of drain box installation

2.1 Single oven drain box.

- a. Install part 2 in the oven drain socket. Then match the free end of the elbow to the hole in the drain box. The drain box must be screwed onto the rear of the oven in place with 2 \varnothing 4mm self-drilling screws.
- b. Install parts 2 + 3 + 2 in the outlet of the drain box. Next, install part 5 and secure it with the supplied Stainless Steel Clamp. Part 6 supplied, on this last elbow. Lead this pipe to the customer's drain inlet.



Info

The drain box can be mounted with the outlet to the left or to the right as required by the installer (just unscrew the drain box cover and turn the assembly 180° and screw it back on).

- c. Next, install part 5 directly into the outlet of the drain box and secure with the supplied Stainless Steel Clamp. Endless Clamp 40-60 supplied. Route this pipe to the customer's drain outlet.



2.2 Drain box for oven with extraction hood/condenser.

- f. Install part 2 into the drain socket of the oven. Then match the free end of the elbow with the hole in the drain box. This box must be screwed with 2 self-drilling screws $\varnothing 4\text{mm}$ on the rear of the oven (preferably the outlet of the drain box in this type of installation should be to the left).
- g. Install in the outlet of the drain box part 2 bypass + part 3 lower pipe + part 3 upper pipe (2 pcs.) + part 2 lower and upper elbows. Next, install part 5 on the lower elbow (part 2) and secure it with the supplied Stainless Steel Clamp. Part 6 provided. Route this pipe to the customer's drain inlet.



3. Water inlet installation

The following material will be used for the hydraulic power supply of the device:

- 3/4" – 8 mm Adapter
- 8 mm Safety Clip
- 5/16" Feeding Pipe



For a correct installation, follow the instructions indicated in the section "Water inlet installation" in the manual of the oven to be installed.

